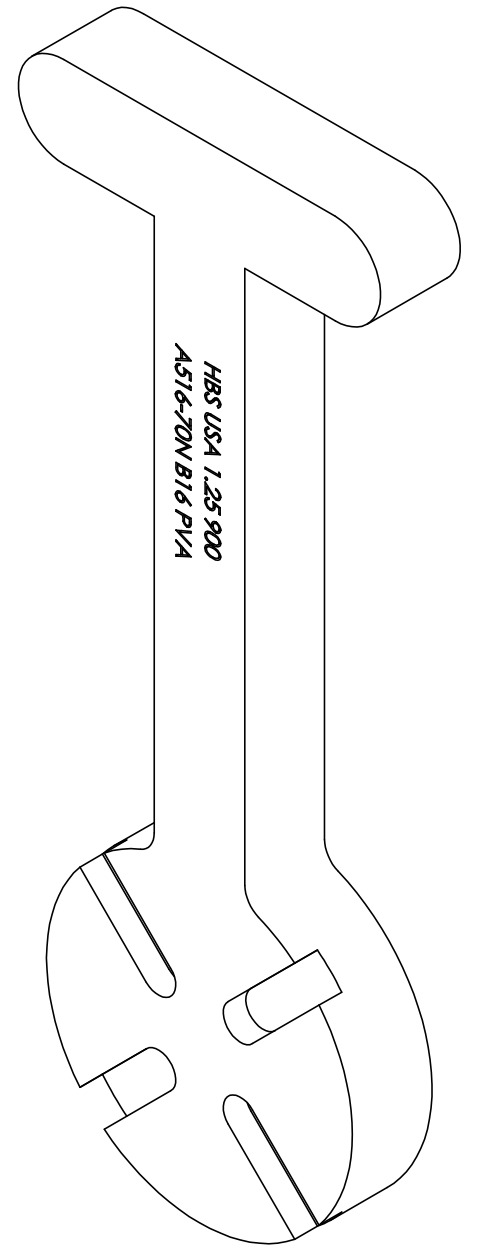
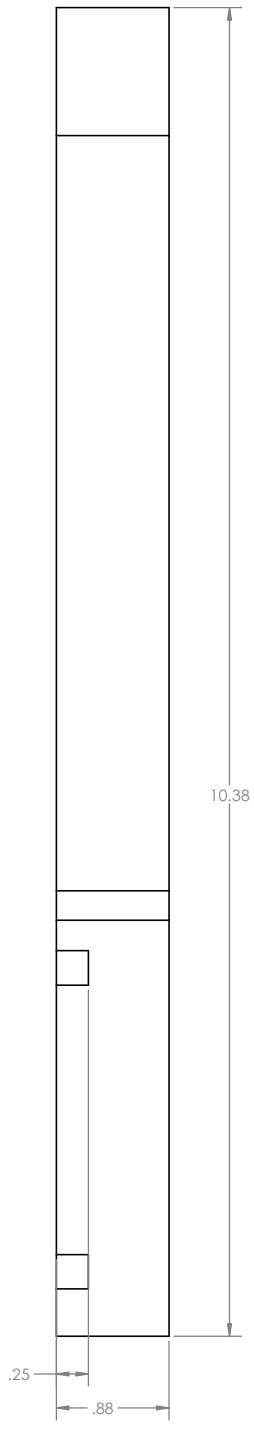
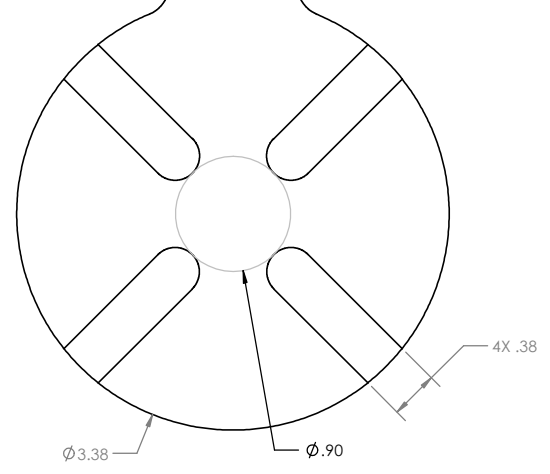


HBS USA 1.25 900
A516-70N B16 P1A



HBS USA 1.25 900
A516-70N B16 P1A

DO NOT SCALE PRINT		UNLESS OTHERWISE SPECIFIED: OUTSIDE DIAMETER: (+/-0.12) INSIDE DIAMETER: (+/-0.12) THICKNESS TOLERANCES (-ZERO +0.12) ALL UNITS IN INCHES OR POUNDS		
		SHEET 1 OF 1		
MATERIAL: CUSTOMER REQUESTED		DATE: 08/07/2020		DRAWING TITLE: 1-1/4 CL 900 PURGE PADDLE BLIND
SCALE 1:0.75		DIMENSIONS & TOLERANCES TO BE IN ACCORDANCE WITH ASME B16.48		
SIZE C		DRAWING NUMBER: 9PPBI		REV 00